

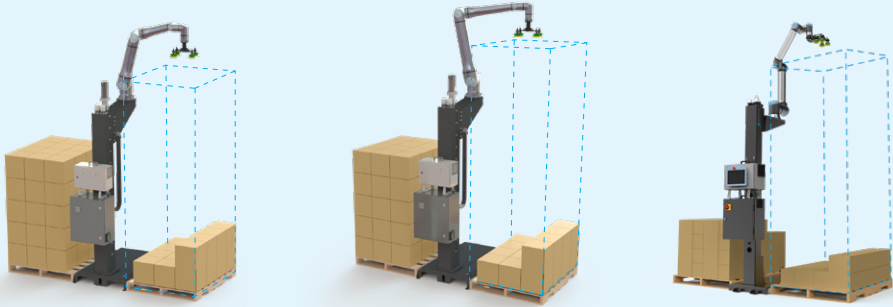
# TURNKEY PALLETIZING SOLUTION

A permanent fix for your staffing woes

**" The ROI was a slam dunk. Smoothest equipment installation I have seen in 28 years. "**  
 —Greg Thayer, VP, Cascade Coffee

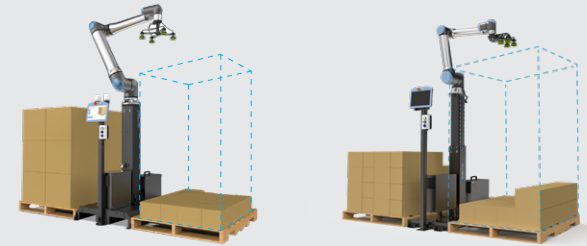
## AX Series

The AX Series uses a 7th axis as a linear transfer system to extend the robot's vertical reach. The AX Series excels by providing the fastest cycle times and highest reach of any comparable palletizing system—all in a compact footprint.



## PE Series

The PE Series, ideal for settings with fewer pallet height variations, makes the most of limited spaces by mounting cobots on a pedestal, which maintains high performance in compact areas.



|                       | AX30                                       | AX20                                       | AX10                                       | PE20                                       | PE10                                       |
|-----------------------|--|--|--|--|--|
| Model                 | AX30                                       | AX20                                       | AX10                                       | PE20                                       | PE10                                       |
| Payload               | 27 kg (60 lb)                              | 18 kg (40 lb)                              | 11.5 kg (25 lb)                            | 18 kg (40 lb)                              | 11.5 kg (25 lb)                            |
| Reach                 |  |  |  |  |  |
| Throughput*           | 10 cycles/min                              | 10 cycles/min                              | 13 cycles/min                              | 13 cycles/min                              | 13 cycles/min                              |
| Pallet height*        | 2750 mm (108 in)                           | 3000 mm (118 in)                           | 2750 mm (108 in)                           | 2150 mm (84 in)                            | 1550 mm (60 in)                            |
| Max pallet width      | 1219 mm (48 in)                            | 1219 mm (48 in)                            | 1219 mm (48 in)                            | 1219 mm (48 in)                            | 800 mm (31 in)                             |
| Max pallet depth      | 1219 mm (48 in)                            | 1219 mm (48 in)                            | 1219 mm (48 in)                            | 1219 mm (48 in)                            | 1219 mm (48 in)                            |
| Num of box patterns   | Unlimited                                  | Unlimited                                  | Unlimited                                  | Unlimited                                  | Unlimited                                  |
| Gripper compatibility | All  | All  | All  | All  | All  |
| Footprint             | ≈ 2900 x 1766 mm                           | ≈ 2900 x 1766 mm                           | ≈ 2700 x 1766 mm                           | ≈ 2900 x 1766 mm                           | ≈ 2700 x 1766 mm                           |
| Software              | Robotiq Material Handling Copilot Software | Robotiq Material Handling Copilot Software | Robotiq Material Handling Copilot Software | Robotiq Material Handling Copilot Software | Robotiq Material Handling Copilot Software |

\* Throughput and pallet height depend on various factors. [Quickly assess feasibility with the Robotiq Online Configurator.](#)

**Over 400 Robotiq Palletizing Solutions have improved factory productivity worldwide.**



**TALK TO AN EXPERT**

*Schedule time with an automation expert to discuss your requirements and kickstart your project.*



**1-888-Robotiq**  
 robotiq.com

# SET UP YOUR APPLICATION IN 3 EASY STEPS

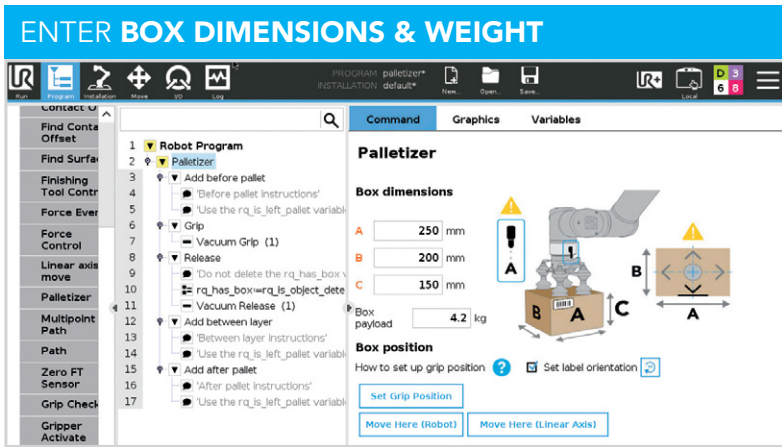
The Palletizing Solution is designed to make automation accessible, no matter your robotics knowledge level. All workers can operate and teach SKUs, risk-free.

Create a pallet pattern to automatically generate and optimize all trajectories and robot movements. The software stores hundreds of recipes (SKUs/pallets) for easier and faster changeovers.

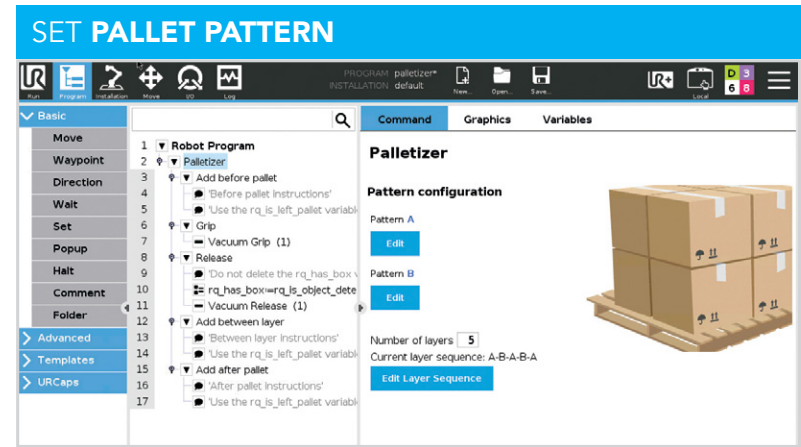
*Launching our first palletizing program took me less than 45 minutes.*

— Alliora employee

1



3



2

